

## Parts List

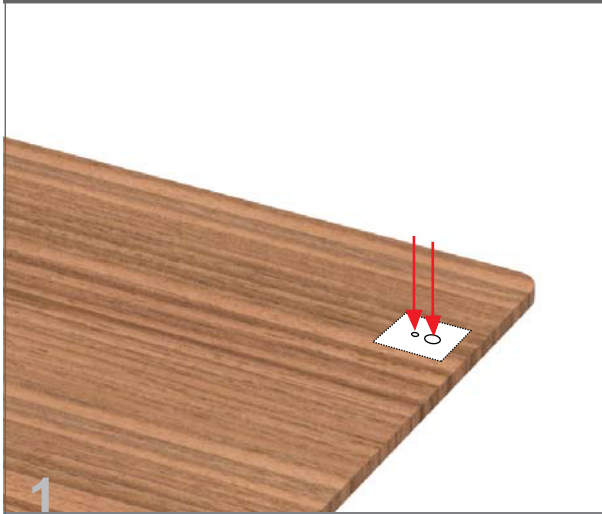


1 x Pillar-Cap  
SAV2-921-01

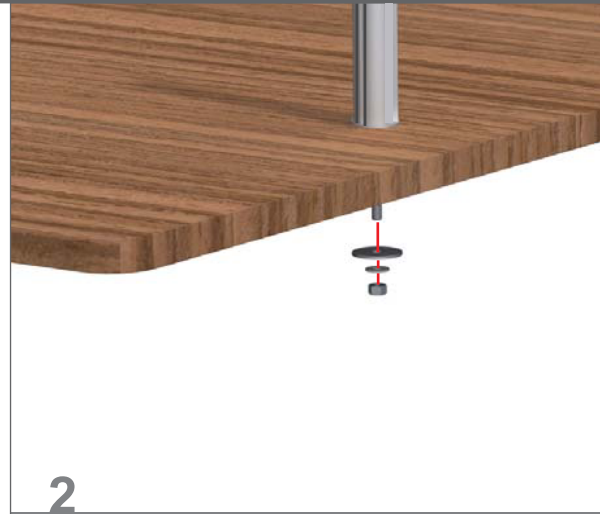
2 x Cable Management Clip  
2290-19-04

1 x Pillar with Through Desk  
Fitting.  
SAV2-923-01

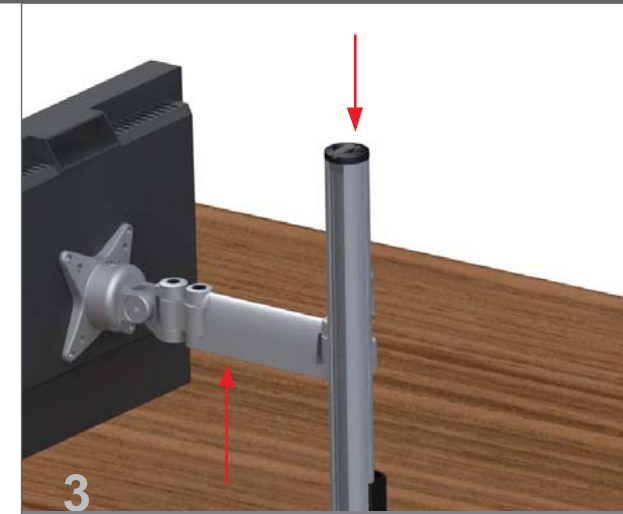
## Pillar With Through-Desk Fitting



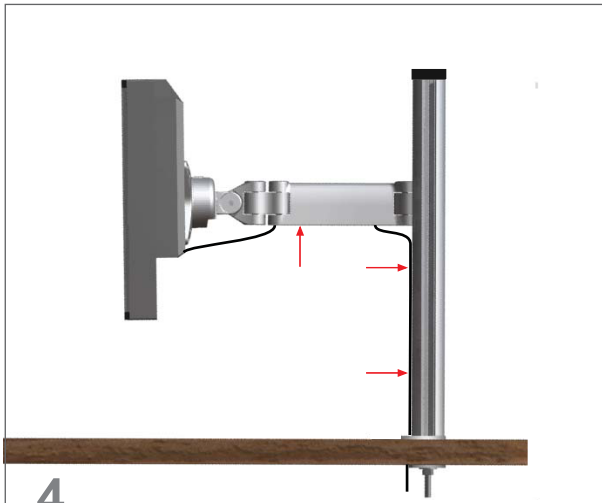
Use template attached to drill holes in desk (ø4.50mm & ø12mm) for through-desk fixing



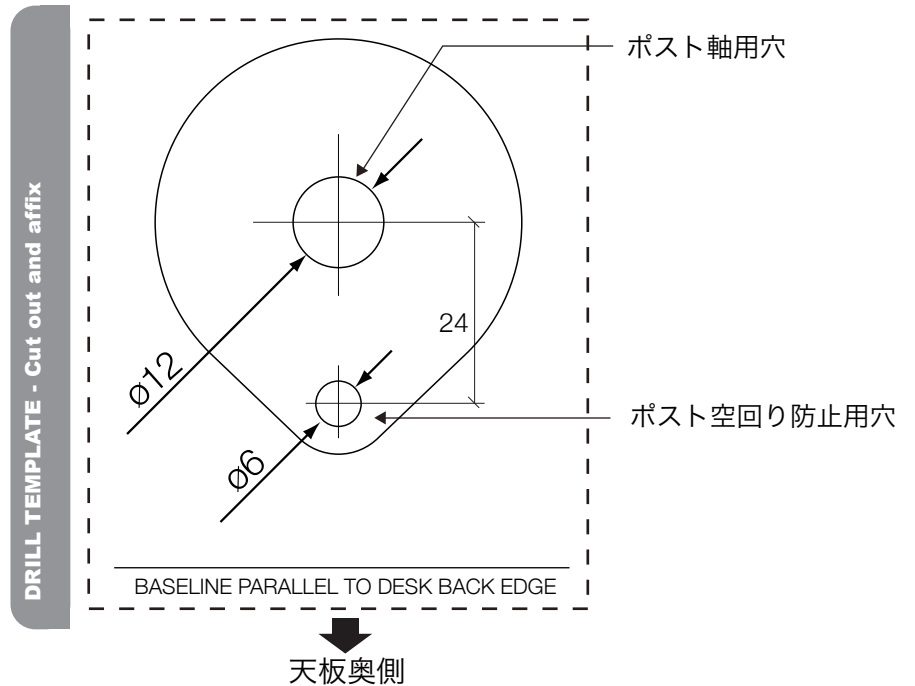
Ensuring correct orientation, position hole-fitting, pillar and washer and screw nut tight.



Place and secure SmartArm assembly and pillar-cap



TIDY CABLES-SYSTEM COMPLETE



As part of our constantly evolving product development programme, Technology Desking reserve the right to change the specifications and appearance of SmartArm without notice. As a result, product and specifications may differ slightly from those illustrated.