

Parts List



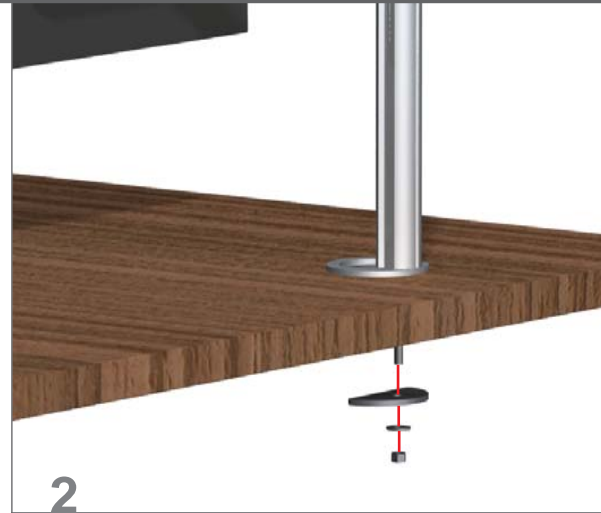
- 1 x Pillar-Cap
SAV2-921-01
- 2 x Cable Management Clip
2290-19-04
- 1 x Pillar with Grommet Clamp
SAV2-922-01

Pillar With Grommet Fitting



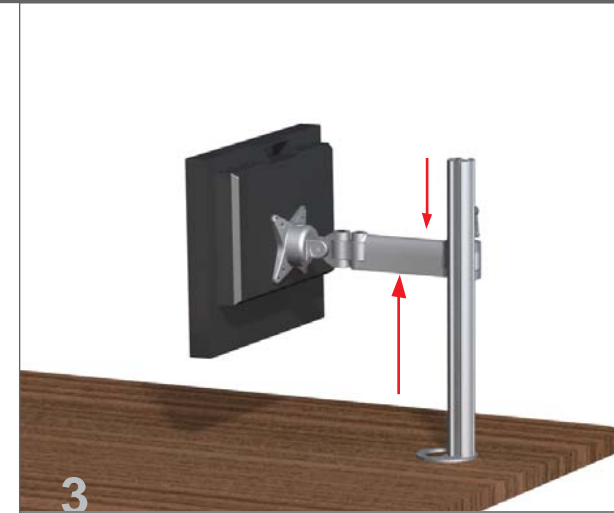
1

Remove bottom fixing plate, washer and nut



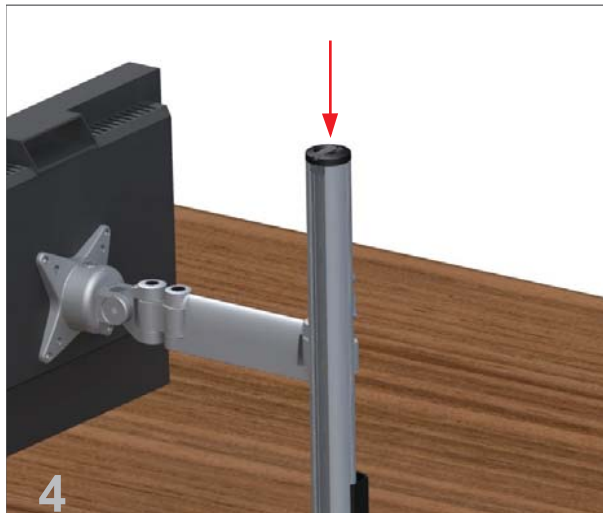
2

Position Grommet fitting in 80mm desktop hole then secure under-fitting, washer and screw nut.



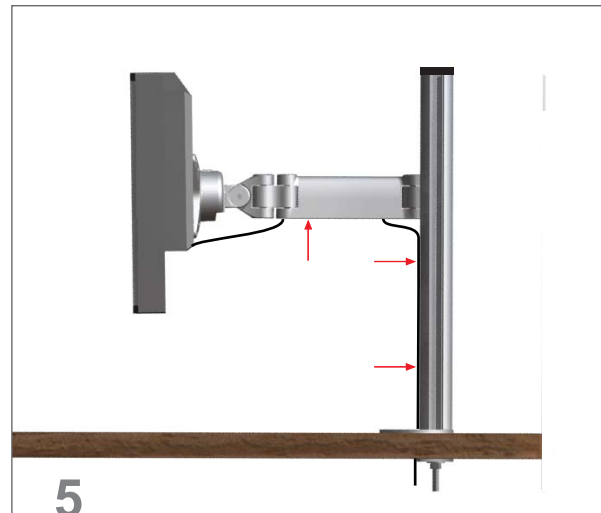
3

Slide on and secure SmartArm arm assembly



4

Push on pillar-cap



5

TIDY CABLES-SYSTEM COMPLETE