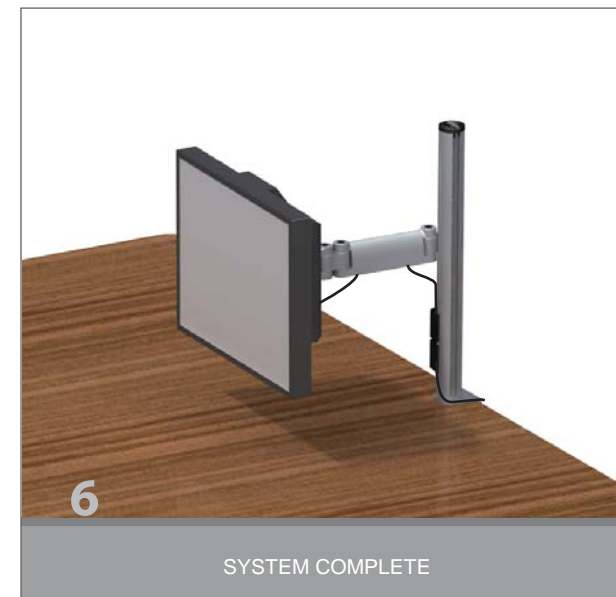
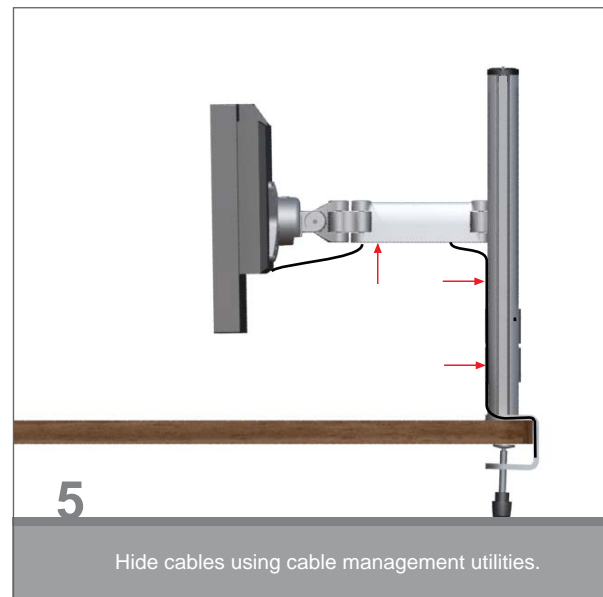
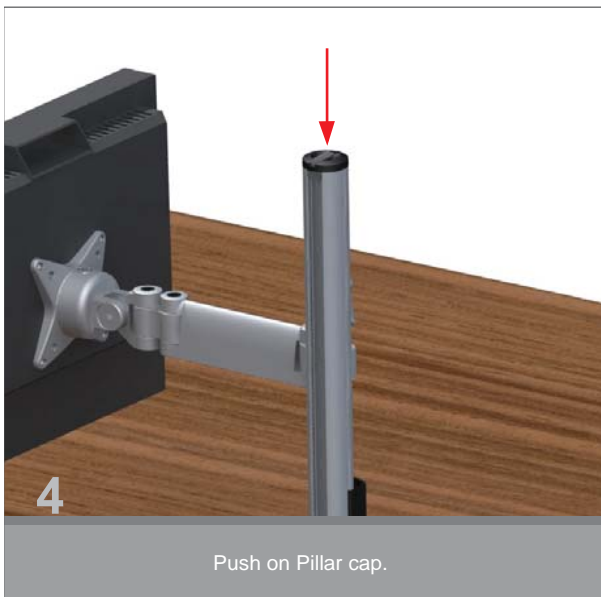
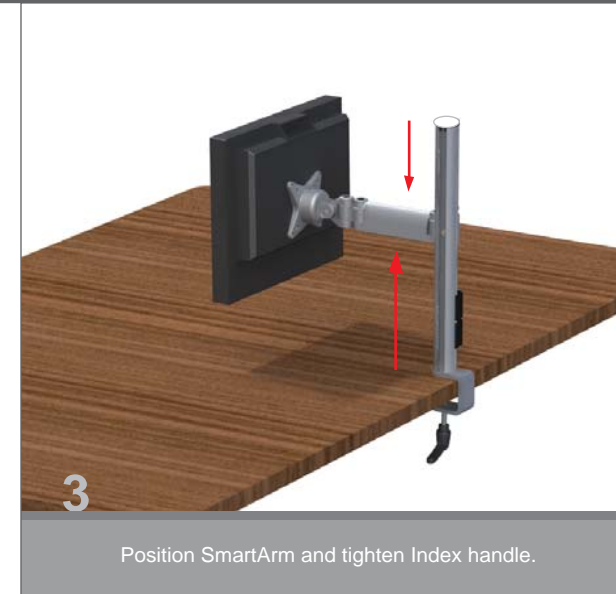
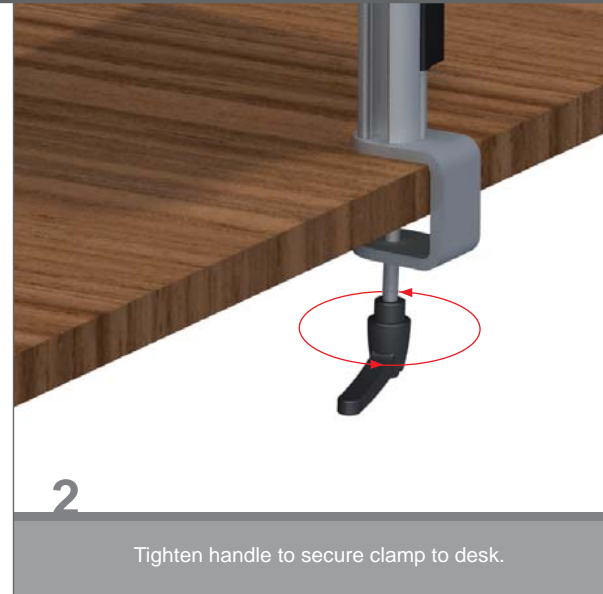
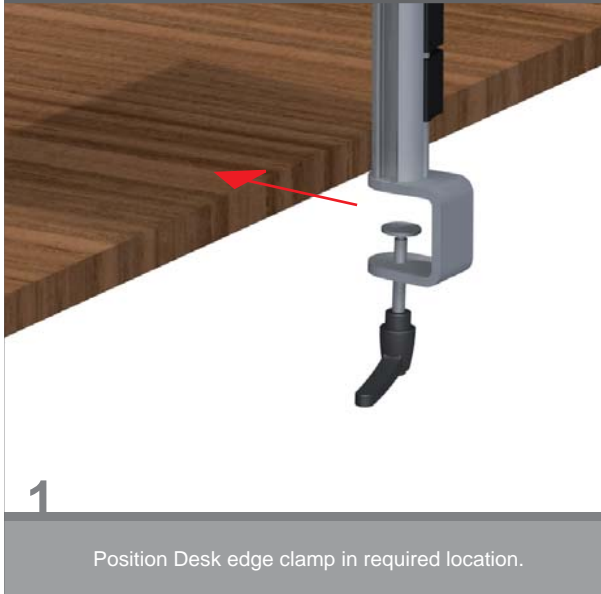


Parts List



- 1 x Pillar-Cap
SAV2-921-01
- 2 x Cable Management Clip
2290-19-04
- 1 x Pillar with Edge-Clamp
SAV2-921-01
- 1 x 8mm Allen Key

Pillar With Desk Edge Clamp



As part of our constantly evolving product development programme, Technology Desking reserve the right to change the specifications and appearance of SmartArm without notice. As a result, product and specifications may differ slightly from those illustrated.

Assembly Instructions